



## LNB

# C-BAND PLL

## 3000

### HIGH STABILITY



### TYPICAL SPECIFICATIONS

<b>Noise temperature</b>	20K to 30K depending on model number
<b>L.O. stability (over temperature excl offset)</b>	±2 kHz to ±25 kHz depending on model number
<b>Phase noise (SSB)</b>	-73 dBc/Hz at 1kHz -83 dBc/Hz at 10kHz -93 dBc/Hz at 100kHz
<b>Input VSWR</b>	2.2 : 1
<b>Output VSWR</b>	2.2 : 1

<b>Conversion gain</b>	62 dB
<b>Output P1dB</b>	9 dBm
<b>Power requirements</b>	+15 to +24 V supplied through center conductor of IF cable
<b>Current drain</b>	330 mA
<b>Input Waveguide</b>	CPR229G
<b>Dimensions</b>	144 (L) x 70 (W) x 98 (H) mm (5.7 x 2.8 x 3.9 in)
<b>Weight</b>	500 g / 17.6 oz
<b>Temperature Range</b>	-40°C to +60°C
<b>Relative Humidity</b>	0 - 100% condensing

### FREQUENCY BANDS AVAILABLE

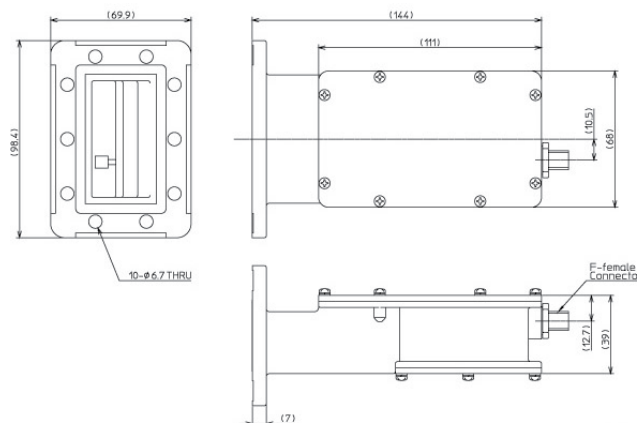
<b>Input frequency (GHz)</b>	3.40 to 4.20
<b>L.O. frequency (GHz)</b>	5.15
<b>Output frequency (MHz)</b>	950 to 1750

### HOW TO ORDER

## 3120N

<b>CONNECTOR</b>	F - 75 Ohm N - 50 Ohm
<b>NOISE TEMPERATURE</b>	20 - 20 K 25 - 25 K 30 - 30 K
<b>L.O. STABILITY</b>	0.4 ppm - ±2 kHz 0.6 ppm - ±3 kHz 0.8 ppm - ±4 kHz 1.0 ppm - ±5 kHz 2.0 ppm - ±10 kHz 5.0 ppm - ±25 kHz
<b>LNB SERIES #</b>	

### MECHANICAL DIAGRAM



**BUY NOW**